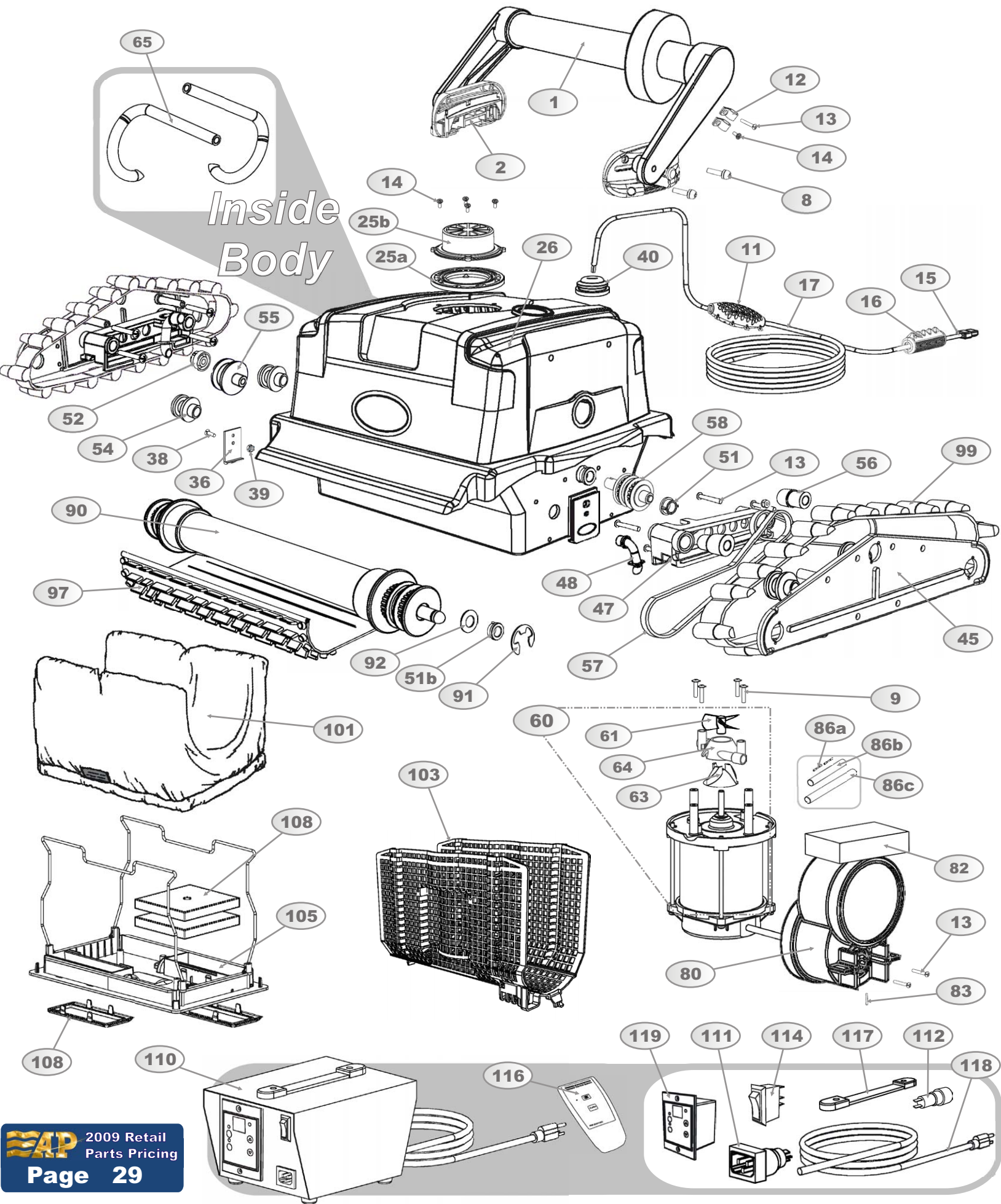


# Aquabot Turbo T-RC



← IMAGE #	PART #	ITEM NAME (Description) - Quantity per	UNITS	LIST PRICE
		<b>Aquabot Turbo T-Solo RC</b> Residential Retired: 2009 / <b>Aquabot Turbo T-RC</b> Renamed: 2009		
1	<b>A1000WT</b>	HANDLE ASSEMBLY (Bright White, Brackets included) - 1 per machine	EACH	<b>\$103.88</b>
2	<b>A2039WT</b>	HANDLE BRACKET (New design, Bright White) - 1 per machine	EACH	<b>\$34.85</b>
8	<b>1105</b>	SCREW (10-32, 7/8", Phil Pan Head, fastens the Handle Bracket to the Body Assembly) - 4 per machine	EACH	<b>\$1.27</b>
9	<b>2701</b>	SCREW (#8, 11/16", Phil Pan Head, to fasten Pump Motor to Body Assemblies) - 4 per machine	EACH	<b>\$1.27</b>
11	<b>SP2031BL</b>	CABLE PROTECTORS (Blue, Plastic, For preventing Cable from being pulled into wheels) - 1 set per machine	SET OF 3	<b>\$9.98</b>
12	<b>2109</b>	P-CLIP (Blue, Coated Steel, fastens the insulated part of a Cable to the Handle Assy.) - 2 per machine	EACH	<b>\$2.44</b>
13	<b>2700</b>	SCREW (#8, 11/16", Phil Pan-Flat Head, fastens Drive Motor and Sideplates) - 10 per machine	EACH	<b>\$1.27</b>
14	<b>2260</b>	SCREW (#6, 7/16", Phil Pan-Flat Head, fastens P-Clips, Outlet Top, and H-Float) - 10 per machine	EACH	<b>\$1.27</b>
 15	<b>1601</b>	PLUG (3-Pin, Female, 2-Wire) - 1 per machine	EACH	<b>\$14.63</b>
16	<b>S7930</b>	EZ-SWIVEL (For 2-wire Cable) - 1 per machine	ASSEMBLY	<b>\$46.62</b>
 17	<b>A16261T</b>	CABLE ASSEMBLY (2-Wire, 60 Ft., Floating) - 1 per machine	EACH	<b>\$281.75</b>
25a	<b>2250WT</b>	OUTLET RING (Bright White, Ring only, does not include Top dome) - 1 per machine	EACH	<b>\$9.12</b>
25b	<b>2230WT1</b>	OUTLET TOP (Bright White, Top dome only, does not include bottom Ring) - 1 per machine	EACH	<b>\$21.18</b>
 26	<b>A2005BL1</b>	BODY ASSEMBLY (Blue, with Lock Tabs, Pin, Outlet Ring, Inserts) - 1 per machine	EACH	<b>\$138.65</b>
36	<b>SP9204W</b>	LOCK-TABS (White, Plastic) - 1 set per machine	SET OF 2	<b>\$3.60</b>
38	<b>2303</b>	SCREW (18-8, 8/32" x 1/2", Phil Bev Head, fastens Lock-Tabs to the Body) - 2 per machine	EACH	<b>\$1.27</b>
39	<b>7133</b>	LOCK-NUT (Nylon Insert, Hex, fastens the Screws of the Lock-Tabs) - 2 per machine	EACH	<b>\$0.83</b>
40	<b>1628</b>	GROMMET (Rubber, Use around Cable Assembly on Body) - 1 per machine	EACH	<b>\$2.44</b>
45	<b>3400WT</b>	SIDEPLATE (Bright White, Plastic) - 2 per machine	EACH	<b>\$27.88</b>
47	<b>3397WT</b>	NOZZLE BRACKET (White, Supports Drive Track, holds Nozzle in place) - 2 per machine	EACH	<b>\$5.83</b>
48	<b>3398WT</b>	NOZZLE (White, Snaps into Nozzle Bracket, connects to Poly Tubing for power washing under cleaner) - 2 per mac	EACH	<b>\$5.83</b>
51a	<b>2600</b>	BUSHING (White, Plastic, For Pulley Assembly) - 2 per machine	EACH	<b>\$2.76</b>
51b	<b>2600BKT2</b>	BUSHING (Black, Molybdenum polymer, For Wheeltube ends) - 4 per machine	EACH	<b>\$2.76</b>
52	<b>2610</b>	BUSHING (White, Plastic, Use for Pin on Body Assembly) - 1 per machine	EACH	<b>\$4.66</b>
55	<b>3700</b>	LARGE ROLLER (White, Plastic, Supports the Drive Track, installs on Body Assembly Pin) - 1 per machine	EACH	<b>\$3.60</b>
56	<b>3506</b>	STEPPED SLEEVE ROLLER (White, Install on upper Sideplate legs, thick end supports Belts) - 2 per machine	EACH	<b>\$2.76</b>
57	<b>SP3302</b>	DRIVE BELTS (Tan) - 1 pair per machine	PAIR	<b>\$17.38</b>
58	<b>A3605</b>	PULLEY ASSEMBLY (2.75" long, includes 2 washers) - 1 per machine	EACH	<b>\$33.81</b>
 60	<b>A600503</b>	PUMP MOTOR (Includes Propeller, Impeller and Impeller Housing) - 1 per machine	EACH	<b>\$213.79</b>
61	<b>4402</b>	PROPELLER (Black, Plastic, D-shaped insert) - 1 per machine	EACH	<b>\$12.25</b>
63	<b>6027</b>	IMPELLER (Red) - 1 per machine	EACH	<b>\$12.25</b>
64	<b>6028</b>	IMPELLER HOUSING (Red) - 1 per machine	EACH	<b>\$12.25</b>
65	<b>300096</b>	TUBING (Clear PVC, 5/16"ID x 1/2"OD, channels water from the Impeller to the Nozzle Brackets) - 2 feet per machine	PER FOOT	<b>\$1.10</b>
 80	<b>A8545</b>	DRIVE MOTOR (Blue, bare wire leads) - 1 per machine	EACH	<b>\$320.85</b>
82	<b>3101</b>	FLOAT (Place under Drive Motor) - 1 per machine	EACH	<b>\$1.67</b>
 86a	<b>SP5474</b>	SHRINKABLE BUTT CONNECTORS (Light Blue, crimp closed and heat shrink to seal) - 4 per machine	PAIR	<b>\$2.54</b>
 86b	<b>SP1617</b>	SHRINK TUBE (5/16" Wide, Black, Thin Rubber, For sealing electrical connections, Use under Shrink Tube 1619)	4 FEET	<b>\$46.64</b>
 86c	<b>SP1619</b>	SHRINK TUBE (1/2" Wide, Black, Thin Rubber, For sealing electrical connections, Use over Shrink Tube 1617)	4 FEET	<b>\$46.64</b>
90	<b>A38205MG</b>	WHEEL TUBE ASSEMBLY (White, Plastic, uses 11058 Retaining Rings) - 2 per machine	EACH	<b>\$69.94</b>
91	<b>11058</b>	RETAINING RING (E-Clip, Use on each end of the Wheel Tubes) - 4 per machine	EACH	<b>\$3.67</b>
92	<b>3603</b>	WASHER (Nylon, Flat, for each end of each Wheel Tube) - 4 per machine	EACH	<b>\$1.27</b>
97	<b>SP3016BL</b>	DEEPCLEAN SUPER BRUSHES (Blue, Short, includes Brush Pins) - 1 pair per machine	PAIR	<b>\$77.89</b>
99	<b>3203</b>	DRIVE TRACK with TRACTION TABS (Blue) - 2 per machine	EACH	<b>\$22.24</b>
101	<b>8111</b>	FILTER BAG (Small, Fine Filter Bag) - 1 per machine	EACH	<b>\$48.97</b>
101	<b>8112</b>	FILTER BAG (Optional, Small, Mesh Filter Bag) - 1 per machine	EACH	<b>\$46.75</b>
103	<b>SP5310</b>	FILTER SCREEN (Blue, Folding Cage with Attachment Strings) - 1 per machine	EACH	<b>\$27.88</b>
105	<b>A9600BL</b>	BOTTOM LID ASSEMBLY (Blue, Shallow-W-Shaped Wire Frame) - 1 per machine	EACH	<b>\$99.00</b>
108	<b>SPK9600</b>	FLOAT KIT (Optional, Floats, Screws, Extension Windows, Attach to Bottom Lid to quicken wall-climbing) - 1 set per	SET OF 4	<b>\$15.35</b>
110	<b>7098D</b>	POWER SUPPLY (3-Prong, Male Socket, 7hr External Digital Timer) - 1 per machine	EACH	<b>\$198.56</b>
 111	<b>7108</b>	SOCKET ASSEMBLY (3-Pin, Male, 2-Wire) - 1 on Power Supply	EACH	<b>\$10.49</b>
 112	<b>7206</b>	FUSE HOLDER (Mini fuse, Phillips Head style) - 1 on Power Supply	EACH	<b>\$8.14</b>
	<b>7207</b>	FUSE (2.5 Amp, Mini fuse, 250 Volt, Slow- Blow) - 1 on Power Supply	EACH	<b>\$3.07</b>
 114	<b>7105</b>	LIGHTED SWITCH (Thin, 1 1/4" x 1/2", Red with Light, 3-Wire) - 1 on Power Supply	EACH	<b>\$8.16</b>
 114	<b>7208</b>	NON-LIGHTED SWITCH (Optional, Thin, 1 1/4" x 1/2", Red, 3-Wire) - 1 on Power Supply	EACH	<b>\$8.16</b>
 116	<b>A220214</b>	RECEIVER (Radio, 2-Way, Responds to 220115C Transmitter) - 1 on Power Supply	EACH	<b>\$233.14</b>
116	<b>220115C</b>	TRANSMITTER (Radio RC, Yellow/ Blue arrows/ Red light, For A220214 Receiver, battery included) - 1 per machine	EACH	<b>\$69.90</b>
117	<b>7041A</b>	HANDLE (Soft Plastic, with Hardware) - 1 on Power Supply	ASSEMBLY	<b>\$6.23</b>
 118	<b>7102</b>	CORD FOR POWER SUPPLY (3-Wire, Green, Black, and White) - 1 on Power Supply	EACH	<b>\$11.66</b>
 119	<b>7074D</b>	DIGITAL TIMER (Front Digital display, 1-7 hours Adjustable, 8-minute auto-off-on) - 1 on Power Supply	EACH	<b>\$52.47</b>
→		<b>Parts marked with this symbol should be installed by the Factory or an Authorized Service Center. Otherwise a Warranty Waiver must accompany any order for these parts.</b>		